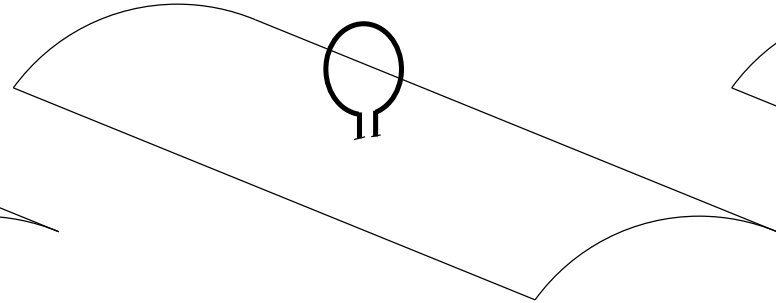
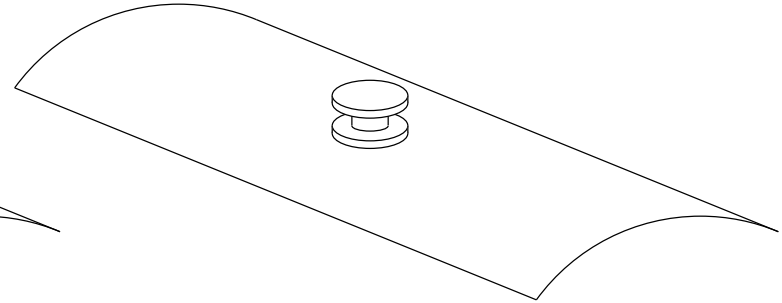


Launch lug



Wire loop



Rail pin